

SAFETY ORGANIZATION(S):

UL RECOGNIZED  
 UL 1283

THIS FILTER HAS BEEN FORMALLY RECOGNIZED, CERTIFIED OR APPROVED BY THE LISTED AGENCY. THEREFORE, ALL TEST/REQUIREMENTS SPECIFIED IN THE LATEST REVISION OF THE FOLLOWING AGENCY STANDARDS HAVE BEEN MET:

UL RECOGNIZED  
 UL 1283

OPERATING SPECIFICATIONS:

LINE VOLTAGE/CURRENT: 10 AMP., 120/250 VAC

LINE FREQUENCY: 50-60HZ

MAX. CASE RISE  $\theta$  RATED CURRENT: 40°C

MAX. LEAKAGE CURRENT, EACH LINE TO GROUND: 0.5mA at 120V 60 Hz

OPERATING AMBIENT TEMP. RANGE: 1.0 mA at 250V 50 Hz

-10°C TO +40°C  $\theta$  RATED CURRENT,  $I_r$

IN AN AMBIENT,  $T_a$ , HIGHER THAN 40°C, THE MAXIMUM OPERATING CURRENT,  $I_o$ , IS AS FOLLOWS:

$$I_o = I_r \sqrt{\frac{85 - T_a}{45}}$$

RELIABILITY SPECIFICATIONS:

STORAGE TEMPERATURE: -40°C TO +85°C

HUMIDITY: 21 DAYS  $\theta$  40°C 95% RH

CURRENT OVERLOAD TEST: 6 TIMES RATED CURRENT FOR 8 SECONDS

TEST SPECIFICATIONS:

INDUCTANCE: 1.25 mH NOMINAL

CAPACITANCE: (MEASURED  $\theta$  1 KHz, 0.25 VAC MAX., 25°C  $\pm$ 1°C)

LINE TO GROUND: .013 $\mu$ F  $\pm$ 20%

LINE TO LINE: .813 $\mu$ F  $\pm$ 20%

DISCHARGE RESISTOR: 330 K $\Omega$

LINE/GROUND AND LINE/LINE: 6000 M $\Omega$  (MIN) AT 100 VDC

INSULATION RESISTANCE: 20°C AND 50% RH

(W/O DISCHARGE RESISTOR)

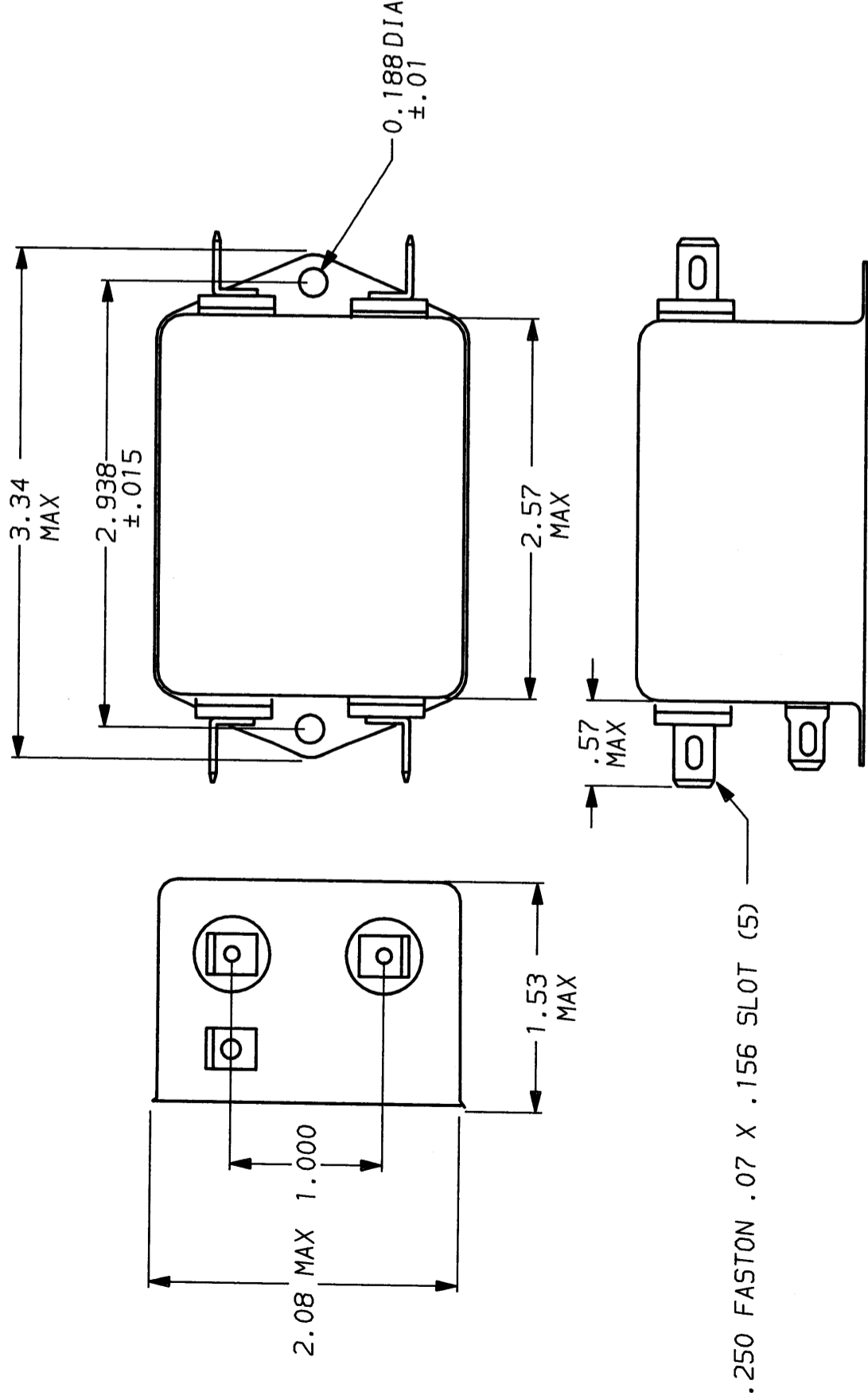
RECOMMENDED RECEIVING INSPECTION HIPOT:

LINES TO GROUND: 2250 VDC FOR 1 MINUTE

LINE TO LINE: 1450 VDC FOR 1 MINUTE

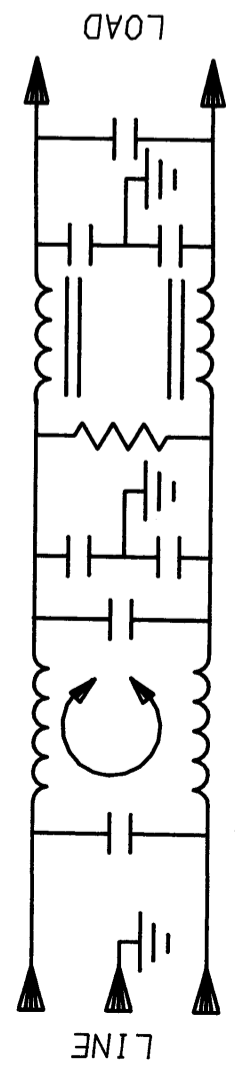
FILTER APPROVAL:

THE BEST WAY TO SELECT AND QUALIFY A FILTER IS FOR YOUR ENGINEERING TO TEST THE UNIT IN YOUR EQUIPMENT.



50 $\Omega$ - 50 $\Omega$ (MINIMUM) INSERTION LOSS									
FREQUENCY MHz	.15	.5	1	2	5	10	20	30	
COMMON dB	18	30	35	50	65	65	63	59	
DIFF. dB	25	65	65	65	65	55	50	50	

This document is proprietary to CORCOM INC. and is not to be reproduced nor used for manufacturing purposes except on CORCOM's order or prior written consent.



TOLERANCE EXCEPT AS NOTED  
 DECIMAL: .XXX .XX .X ANGLES  $\pm$  1°  
 ENGLISH:  $\pm$ .025  
 METRIC:  $\pm$  \_\_\_\_\_

MATERIAL: AS SUPPLIED

FINISH: AS SUPPLIED

**CORCOM**  
 LIBERTYVILLE, IL 60048  
**POWER LINE FILTER**

SCALE	DATE	DRG. NO.	REV.
NTS	7-31-90	10W1.04	
DRW. BY	ORIGINATOR		
CFW	CFW		